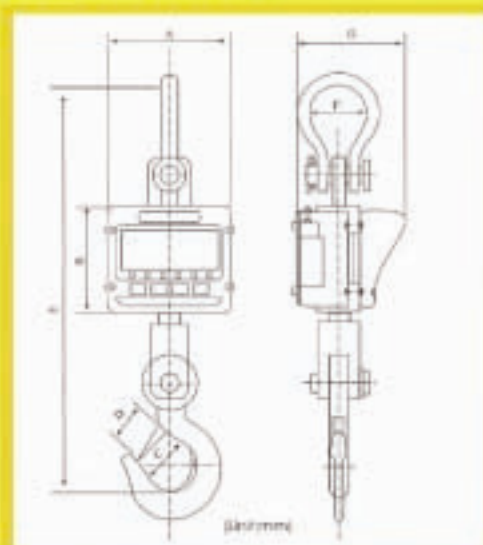


## Features:

- \* Model : OCS-XZ
- \* Capacity : 600kg.1t.2t.3t.5t.10t.
- \* Reliable & Cost Efficient.
- \* Super bright 5-digit 30mm LED display suitable for use under low ambient light conditions.
- \* Light weight & impact resistance high strength cast aluminum scale housing.
- \* Hold, Zero & Division selection functions.
- \* High capacity rechargeable battery (6V/10Ah), 100 hours of stand by time per full charge.
- \* Convenient 360 swivel hook.

## Dimensioned :



TYPE	A	B	C	D	E	F	G	Weight
OCS-XZ 600Kg	260	195	47	34	530	76	200	13
OCS-XZ 1000Kg	260	195	47	34	530	76	200	13
OCS-XZ 2000Kg	260	195	47	34	530	76	200	13
OCS-XZ 3000Kg	260	195	50	40	547	76	200	14
OCS-XZ 5000Kg	260	195	60	48	634	80	210	24
OCS-XZ 10000Kg	260	205	70	52	735	90	220	35

