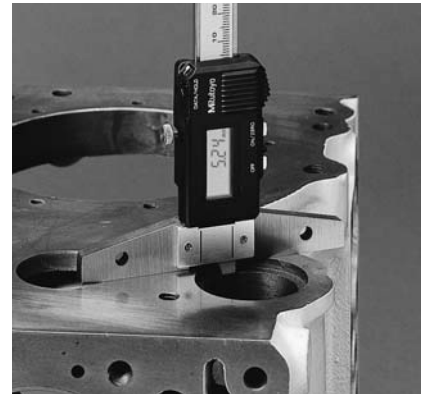
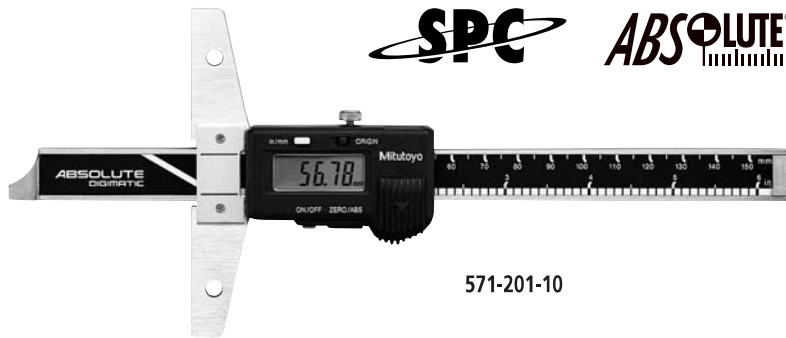


# Absolute Digimatic Depth Gages

SERIES 571



571-201-10

DEPTH GAGES

## FEATURES

- Models up to 300mm (8") range are ABS Digimatic Depth Gages, so that they keep track of the origin point once set for the entire life of the battery.
- Base and measuring faces are hardened and micro-lapped.
- Functions available: Zero-setting, Data hold, SPC data output, inch/mm conversion (on Inch/Metric model only).
- Power supply: One SR44 battery (**938882**).
- Wider extension bases are available as optional accessory.

## SPECIFICATIONS

Metric			
Range	Order No.	Resolution	Accuracy
0 - 150mm	<b>571-201-10</b>	0.01mm	±0.02mm
0 - 200mm	<b>571-202-10</b>	0.01mm	±0.02mm
0 - 300mm	<b>571-203-10</b>	0.01mm	±0.03mm
0 - 450mm	<b>571-204-10</b>	0.01mm	±0.05mm
0 - 600mm	<b>571-205-10</b>	0.01mm	±0.05mm
0 - 750mm	<b>571-206-10</b>	0.01mm	±0.06mm
0 - 1000mm	<b>571-207-10</b>	0.01mm	±0.07mm

Excluding quantizing error

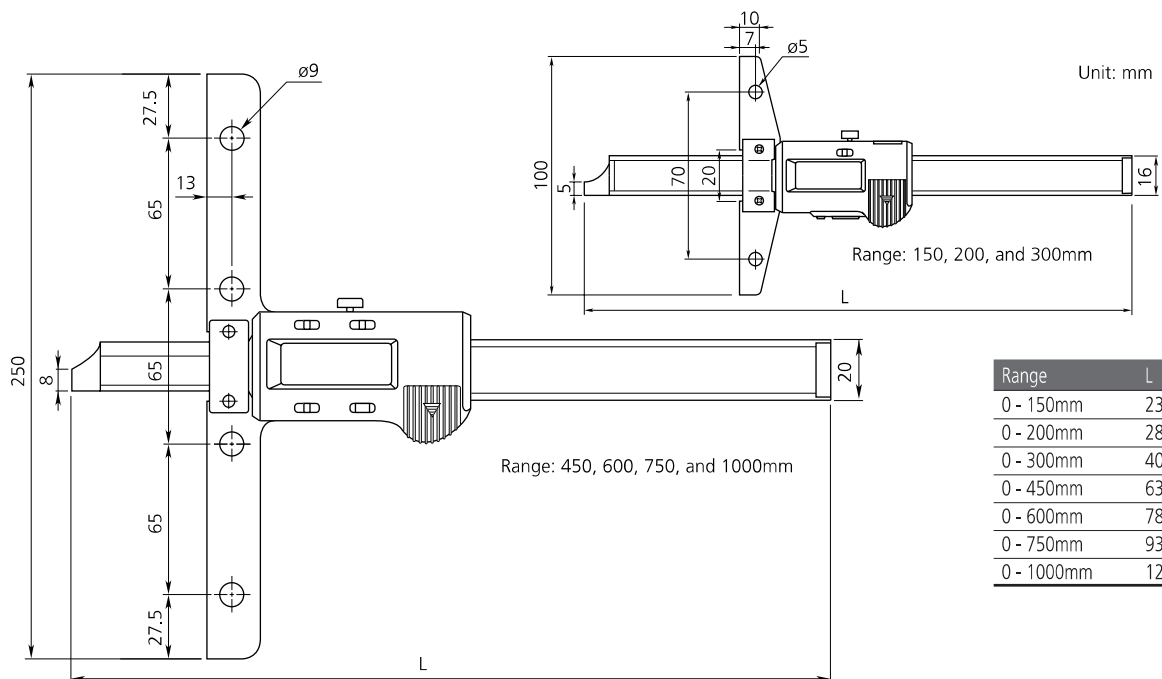
## OPTIONAL ACCESSORIES

Order No.	Description
<b>959143</b>	Data Hold Unit for ABS Digimatic Depth Gage
<b>959149</b>	SPC cable with data switch (1m)
<b>959150</b>	SPC cable with data switch (2m)
(See page 71.)	Extension Bases

Inch/Metric			
Range	Order No.	Resolution	Accuracy
0 - 6"/150mm	<b>571-211-10</b>	.0005"/0.01mm	±.001"
0 - 8"/200mm	<b>571-212-10</b>	.0005"/0.01mm	±.001"
0 - 12"/300mm	<b>571-213-10</b>	.0005"/0.01mm	±.0015"
0 - 18"/450mm	<b>571-214-10</b>	.0005"/0.01mm	±.002"
0 - 24"/600mm	<b>571-215-10</b>	.0005"/0.01mm	±.002"
0 - 30"/750mm	<b>571-216-10</b>	.0005"/0.01mm	±.0025"
0 - 40"/1000mm	<b>571-217-10</b>	.0005"/0.01mm	±.003"

Excluding quantizing error

## Dimensions



Unit: mm

Range	L
0 - 150mm	237
0 - 200mm	287
0 - 300mm	403
0 - 450mm	635
0 - 600mm	785
0 - 750mm	935
0 - 1000mm	1200