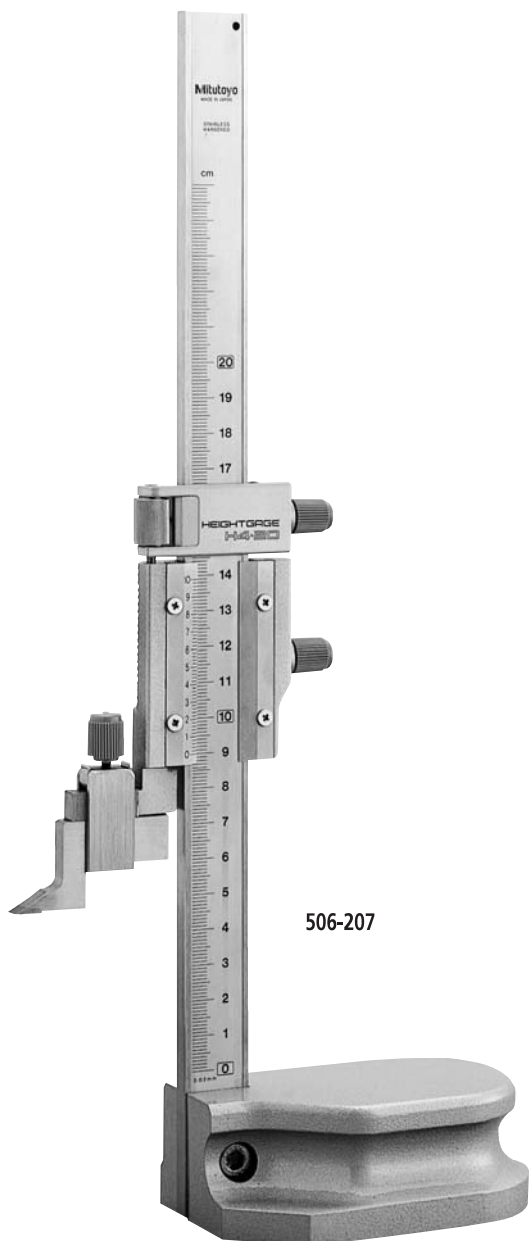


# Vernier Height Gages

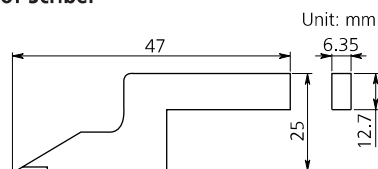
SERIES 506



## FEATURES

- Light weight type can measure easily the height of small parts.
- Beam and slider are made of stainless steel.
- Right hand type for easy use.
- Clear, crisp black graduations on a satin-chrome finish for easy reading.
- Provided with a carbide-tipped scriber (**900173**).

## Dimensions of Scriber



## SPECIFICATIONS

### Metric

Range Left scale	Range Right scale	Order No.	Vernier reading Left scale	Vernier reading Right scale	Accuracy
—	0 - 150mm	<b>506-201</b>	—	0.02mm	±0.03mm
0 - 200mm	—	<b>506-207</b>	0.02mm	—	±0.03mm
—	0 - 250mm	<b>506-204</b>	—	0.02mm	±0.04mm

### Metric/Inch

Range Left scale	Range Right scale	Order No.	Vernier reading Left scale	Vernier reading Right scale	Accuracy
0 - 6"	0 - 150mm	<b>506-202</b>	.001"	0.02mm	±.001"
0 - 8"	0 - 200mm	<b>506-208</b>	.001"	0.02mm	±.001"
0 - 10"	0 - 250mm	<b>506-205</b>	.001"	0.02mm	±.0015"

