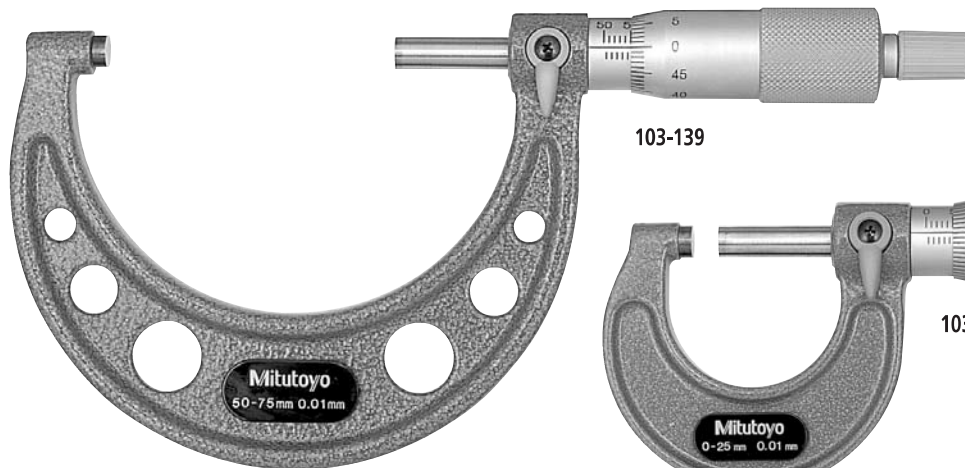
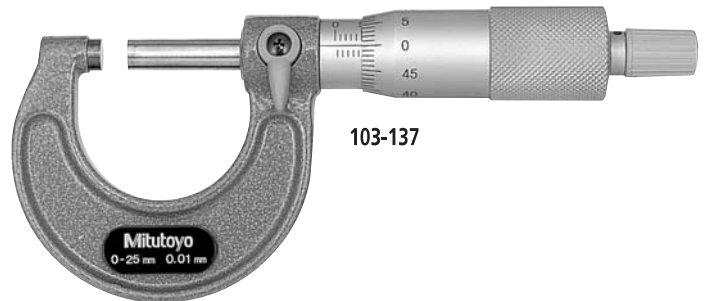


Outside Micrometers

SERIES 103



103-139



103-137

FEATURES

- Hammertone-green, baked-enamel-finished frame.
- Carbide-tipped measuring faces.
- Clear graduations on satin-chrome finish.
- Positive locking clamp.
- Ratchet Stop or Friction Thimble for exact repetitive readings.
- Provided with a standard except for 25mm (1") model.

SPECIFICATIONS

Metric	With ratchet stop		
Range	Order No.	Graduation	Accuracy
0 - 25mm	103-137	0.01mm	±2μm
	103-129	0.001mm	±2μm
25 - 50mm	103-138	0.01mm	±2μm
	103-130	0.001mm	±2μm
50 - 75mm	103-139-10	0.01mm	±2μm
75 - 100mm	103-140-10	0.01mm	±3μm
100 - 125mm	103-141-10	0.01mm	±3μm
125 - 150mm	103-142-10	0.01mm	±3μm
150 - 175mm	103-143-10	0.01mm	±4μm
175 - 200mm	103-144-10	0.01mm	±4μm
200 - 225mm	103-145-10	0.01mm	±4μm
225 - 250mm	103-146-10	0.01mm	±5μm
250 - 275mm	103-147-10	0.01mm	±5μm
275 - 300mm	103-148-10	0.01mm	±5μm
300 - 325mm	103-149	0.01mm	±6μm
325 - 350mm	103-150	0.01mm	±6μm
350 - 375mm	103-151	0.01mm	±6μm
375 - 400mm	293-152	0.01mm	±7μm
400 - 425mm	103-153	0.01mm	±7μm
425 - 450mm	103-154	0.01mm	±7μm
450 - 475mm	103-155	0.01mm	±8μm
475 - 500mm	103-156	0.01mm	±8μm

(Models with a range up to 1000mm are available.)

Measuring faces

- Flatness: 0.6μm (.000024") for models up to 300mm (12")
1μm (.00004") for models over 300mm (12")
- Parallelism: $(2+L/100)\mu\text{m}$ [(.00008+.00004 (L/4))"]*
*L=Maximum measuring length (mm) [(inch)], Fraction rounded down

Inch With ratchet stop

Range	Order No.	Graduation	Accuracy
0 - 1"	103-177	.001"	±.0001"
	103-131	.0001"	±.0001"
1" - 2"	103-178	.001"	±.0001"
	103-132	.0001"	±.0001"
2" - 3"	103-179	.001"	±.0001"
3" - 4"	103-180	.001"	±.00015"
4" - 5"	103-181	.001"	±.00015"
5" - 6"	103-182	.001"	±.00015"
6" - 7"	103-183	.001"	±.0002"
7" - 8"	103-184	.001"	±.0002"
8" - 9"	103-185	.001"	±.0002"
9" - 10"	103-186	.001"	±.00025"
10" - 11"	103-187	.001"	±.00025"
11" - 12"	103-188	.001"	±.00025"
12" - 13"	103-189	.001"	±.0003"
13" - 14"	103-190	.001"	±.0003"
14" - 15"	103-191	.001"	±.0003"
15" - 16"	103-192	.001"	±.00035"
16" - 17"	103-193	.001"	±.00035"
17" - 18"	103-194	.001"	±.00035"
18" - 19"	103-195	.001"	±.0004"
19" - 20"	103-196	.001"	±.0004"

(Models with a range up to 40" are available.)

Note: 0.001mm (.0001") reading is obtained with vernier.

Metric With friction thimble

Range	Order No.	Graduation	Accuracy
0 - 25mm	103-125	0.01mm	±2μm
	103-133	0.001mm	±2μm
25 - 50mm	103-126	0.01mm	±2μm

Inch With friction thimble

Range	Order No.	Graduation	Accuracy
0 - 1"	103-127	.001"	±.0001"
	103-135T	.0001"	±.0001"
1" - 2"	103-128	.001"	±.0001"
	103-136T	.0001"	±.0001"

Note: 0.001mm (.0001") reading is obtained with vernier.



Metric Micrometer set		
Range	Order No.	Assortment of micrometers
0 - 75mm (3 mikes/set)	103-927-10	<ul style="list-style-type: none"> • 103-137, 103-138, 103-139 • 2 micrometer standards
0 - 150mm (6 mikes/set)	103-913-30	<ul style="list-style-type: none"> • 103-137, 103-138, 103-139-10, 103-140-10, 103-141-10, 103-142-10 • 5 micrometer standards
150 - 300mm (6 mikes/set)	103-915-10	<ul style="list-style-type: none"> • 103-143, 103-144, 103-145, 103-146, 103-147, 103-148 • 6 micrometer standards
0 - 300mm (12 mikes/set)	103-914-30	<ul style="list-style-type: none"> • All micrometers of 103-913-30 and 103-915-10 in one set • 11 micrometer standards

Inch		
Range	Order No.	Assortment of micrometers
0 - 3" (3 mikes/set)	103-929	<ul style="list-style-type: none"> • 103-177, 103-178, 103-179 • 2 micrometer standards
0 - 4" (4 mikes/set)	103-930	<ul style="list-style-type: none"> • 103-177, 103-178, 103-179, 103-180 • 3 micrometer standards
0 - 6" (6 mikes/set)	103-904	<ul style="list-style-type: none"> • 101-105, 101-106, 103-179, 103-180, 103-181, 103-182 • 5 micrometer standards
6" - 12" (6 mikes/set)	103-906	<ul style="list-style-type: none"> • 103-183, 103-184, 103-185, 103-186, 103-187, 103-188 • 6 micrometer standards
0 - 12" (12 mikes/set)	103-905	<ul style="list-style-type: none"> • All micrometers of 103-904 and 103-906 in one set • 11 micrometer standards